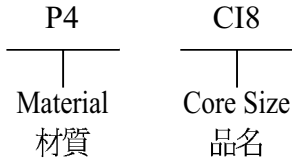


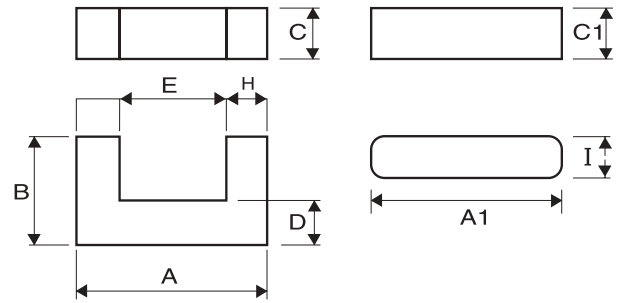
Type : CI Cores

Ordering Code:

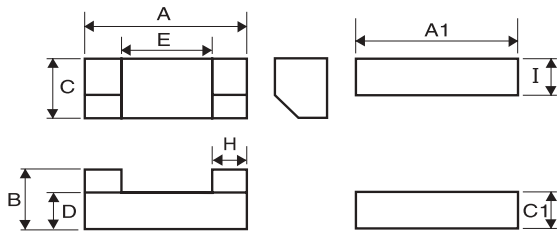


Shape:

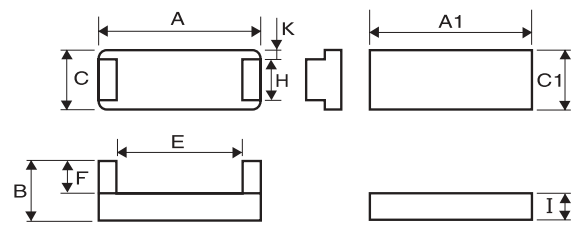
Type:1



Type:2



Type:3



DIMENSIONS

CORES	DIMENSIONS (mm)											
	A	B	C	D	E	F	H	K	A1	C1	I	Type
CI8	26.00 ± 0.25	2.20 ± 0.08	5.50 ^{+0.12} / _{-0.15}	0.90 ^{+0.08} / _{-0.05}	23.60 ± 0.25	-	1.20 ± 0.10	-	26.00 ± 0.25	5.50 ^{+0.12} / _{-0.15}	1.05 ± 0.05	1
CI8.0A	26.00 ± 0.25	2.30 ± 0.05	5.50 ± 0.15	1.22 ± 0.05	23.30min	-	-	-	26.50 ± 0.25	5.50 ± 0.15	1.05 ± 0.05	1
CI8.3	28.80 ± 0.50	3.60 ± 0.075	2.70 ± 0.15	2.05 ± 0.10	21.60min	-	3.40 ± 0.10	-	29.50 ± 0.50	3.15 ± 0.15	1.75 ± 0.05	2
CI8.5	28.80 ± 0.50	3.60 ± 0.075	3.20 ± 0.10	2.35 ± 0.10	21.60min	-	3.40 ± 0.10	-	29.50 ± 0.50	3.50 ± 0.10	2.20 ± 0.05	2
CI10	23.10 ± 0.25	2.30 ± 0.08	7.40 ± 0.15	1.10 ^{+0.08} / _{-0.05}	20.30 ± 0.20	-	-	-	23.10 ± 0.25	7.40 ± 0.15	1.20 ± 0.05	1
CI17	22.90 ± 0.25	3.70 ± 0.10	13.25 ^{+0.15} / _{-0.20}	2.00 ^{+0.10} / _{-0.15}	18.90 ± 0.20	-	-	-	22.90 ± 0.25	13.25 ^{+0.15} / _{-0.20}	2.00 ± 0.05	1
CI25	24.64 ^{+0.20} / _{-0.15}	3.45 ± 0.10	5.84 ± 0.10	1.60 ± 0.05	21.46 ± 0.20	-	-	-	25.15 ^{+0.15} / _{-0.20}	5.84 ± 0.10	1.80 ^{+0.04} / _{-0.05}	1
CI29	29.00 ± 0.50	3.40 ± 0.10	10.40 ± 0.30	-	24.15min	2.10 ± 0.15	7.00 ± 0.30	1.70 ± 0.15	29.60 ± 0.50	7.00 ± 0.20	2.00 ± 0.05	3



EFFECTIVE PARAMETERS

CORES	EFFECTIVE PARAMETERS				
	C _i (mm ⁻¹)	Le(mm)	Ae(mm ²)	Ve(mm ³)	Wt(g/set)
CI8	9.56	52.51	5.49	216.84	1.37
CI8.0A	9.10	53.10	5.80	310.00	1.49
CI8.3	9.71	55.27	5.69	314.49	1.61
CI8.5	7.15	55.44	7.75	429.66	2.05
CI10	6.45	48.50	7.52	585.26	1.95
CI17	1.79	48.19	26.90	1669.47	6.20
CI25	5.30	52.25	9.86	515.18	2.56
CI29	4.12	60.99	14.81	903.26	4.23

ELECTRICAL CHARACTERISTICS

CORES	AL ± 25% (nH/N ²)					AL ± 30% (nH/N ²)
	P4	P5	N4	A05	A07	A10(L)
CI8	265					
CI8.0A	280					
CI8.3	300					
CI8.5	400					
CI10	380					
CI17	1392					
CI25	470					
CI29	700					

Remark:

1. AL Value Testing Condition : 10kHz, 50mV, 100Ts. If testing condition is different from ACME's, please specify upon request & ordering.