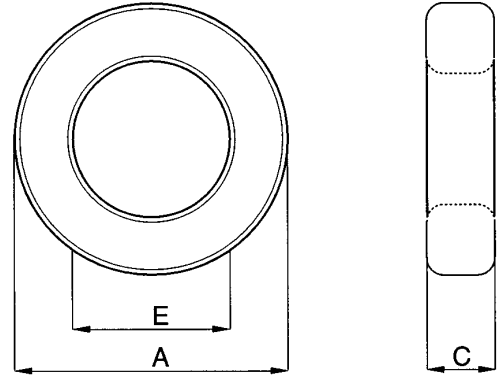


Type : T Cores

Ordering Code:

Shape:

A10	T2.5*1.5*1.3	P	G□
Material	Core Size	Coating	Gapped AL Value
材質	品名	塗裝	



C : Epoxy Coating
 P : Parylene Coating
 W : Powder Coating

DIMENSIONS AND EFFECTIVE PARAMETERS

CORES	DIMENSIONS (mm)			EFFECTIVE PARAMETERS				
	COATING DIMENSIONS (mm)			C _i (mm ³)	L _e (mm)	A _e (mm ²)	V _e (mm ³)	Wt(g/set)
	A	E	C					
T2.5x1.5x1.3	2.50 ± 0.15	1.50 ± 0.15	1.30 ± 0.15	9.67	6.28	0.65	4.08	0.020
	2.50 ± 0.15	1.50 ± 0.15	1.30 ± 0.15					
T2.54x1.27x1.27	2.54 ± 0.15	1.27 ± 0.15	1.27 ± 0.15	7.42	5.98	0.81	4.83	0.022
	2.54 ± 0.15	1.27 ± 0.15	1.27 ± 0.15					
T2.93x1.63x2.42	2.93 ± 0.15	1.63 ± 0.15	2.42 ± 0.15	4.55	7.16	1.57	11.27	0.049
	2.93 ± 0.15	1.63 ± 0.15	2.42 ± 0.15					
T3.05x1.27x2	3.05 ± 0.15	1.27 ± 0.15	2.00 ± 0.15	3.81	6.79	1.78	12.08	0.055
	3.05 ± 0.15	1.27 ± 0.15	2.00 ± 0.15					
T3.05x1.5x2.06	3.05 ± 0.15	1.50 ± 0.15	2.06 ± 0.15	4.48	7.15	1.60	11.41	0.053
	3.05 ± 0.15	1.50 ± 0.15	2.06 ± 0.15					
T3.05x1.68x2.06	3.05 ± 0.15	1.68 ± 0.15	2.06 ± 0.15	5.27	7.43	1.41	10.48	0.048
	3.05 ± 0.15	1.68 ± 0.15	2.06 ± 0.15					
T3.05x1.78x2.07	3.05 ± 0.15	1.78 ± 0.15	2.07 ± 0.15	5.77	7.59	1.31	9.97	0.045
	3.05 ± 0.15	1.78 ± 0.15	2.07 ± 0.15					
T3.43x1.78x1.78	3.43 ± 0.15	1.78 ± 0.15	1.78 ± 0.15	5.57	8.18	1.47	12.02	0.054
	3.43 ± 0.15	1.78 ± 0.15	1.78 ± 0.15					
T3.45x1.75x1.3	3.45 ± 0.15	1.75 ± 0.15	1.30 ± 0.15	7.53	8.33	1.11	9.20	0.042
	3.45 ± 0.15	1.75 ± 0.15	1.30 ± 0.15					
T3.45x1.75x2.2	3.45 ± 0.15	1.75 ± 0.15	2.20 ± 0.15	4.45	8.33	1.87	15.57	0.075
	3.45 ± 0.15	1.75 ± 0.15	2.20 ± 0.15					
T3.5x1.5x1.78	3.50 ± 0.15	1.50 ± 0.15	1.78 ± 0.15	4.41	7.85	1.78	13.98	0.068
	3.50 ± 0.15	1.50 ± 0.15	1.78 ± 0.15					
T3.5x1.8x1.8	3.50 ± 0.15	1.80 ± 0.15	1.80 ± 0.15	5.44	8.33	1.53	12.74	0.050
	3.50 ± 0.15	1.80 ± 0.15	1.80 ± 0.15					



MANUFACTURING CAPABILITY

Gapped Toroid Sizes(OD)	2.50mm - 12.00mm
Height	0.70mm - 8.00mm
Gap Sizes :	0.03mm - 0.40mm
AL Tolerance	AL ± 10%

APPLICATIONS

- Power** DC-DC Converters
Compact Power Transformer
Small, Low Profile Power Inductors
- Telecom** xDSL pass-band Filiters
Spilters
EMI Inductors
Filiters Inductors with Tight Tolerance

ELECTRICAL CHARACTERISTICS

CORES	AL ± 25% (nH/N ²)							AL ± 30%(nH/N ²)		
	P4	P5	N2	S3	A041	A05	A07	A10	A102	A12
T2.5x1.5x1.3						650				
T2.54x1.27x1.27	440					880	1230	1760	1760	1930
T2.93x1.63x2.42	650	550	1100			1350	1900	2700	2700	3300
T3.05x1.27x2	800	650	1300			1600	2300	3250	3250	3900
T3.05x1.5x2.06	700					1400	1950			
T3.05x1.68x2.06			950							
T3.05x1.78x2.07	500	400	850			1050	1500	2150	2150	2600
T3.43x1.78x1.78			900							
T3.45x1.75x1.3	410					830	1160	1660	1660	
T3.45x1.75x2.2	690					1400	1960	2800	2800	
T3.5x1.5x1.78						1450				
T3.5x1.8x1.8						1150	1600	2300		2700

Remark:

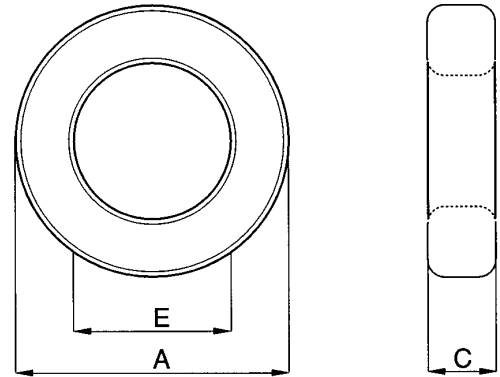
1. AL Value Testing Condition : 10kHz, 50mV, 1Ts. If testing condition is different from ACME's, please specify upon request & ordering.
2. Coating Material
 - (1) Toroid Size T8 and Below:clear parylene coating, breakdown voltage:1000Vdc, coating thickness : 0.05mm max.
 - (2) Toroid Size T9 and Above:green epoxy coating, breakdown voltage:1500Vdc, coating thickness : 0.6mm max.

Type : T Cores

Ordering Code:

Shape:

A10	T3.94*1.68*0.76	P	G□
Material	Core Size	Coating	Gapped AL Value
材質	品名	塗裝	



C : Epoxy Coating
 P : Parylene Coating
 W : Powder Coating

DIMENSIONS AND EFFECTIVE PARAMETERS

CORES	DIMENSIONS (mm)			EFFECTIVE PARAMETERS				
	COATING DIMENSIONS (mm)			C _i (mm ³)	Le(mm)	Ae(mm ²)	Ve(mm ³)	Wt(g/set)
	A	E	C					
T3.94x1.68x0.76	3.94 ± 0.15	1.68 ± 0.15	0.76 ± 0.15	10.28	8.83	0.86	7.58	0.033
	3.94 ± 0.15	1.68 ± 0.15	0.76 ± 0.15					
T3.94x2.24x1.27	3.94 ± 0.15	2.24 ± 0.15	1.27 ± 0.15	9.20	9.75	1.06	10.34	0.050
	3.94 ± 0.15	2.24 ± 0.15	1.27 ± 0.15					
T3.94x2.24x2.54	3.94 ± 0.15	2.24 ± 0.15	2.54 ± 0.15	4.50	9.71	2.16	20.96	0.090
	3.94 ± 0.15	2.24 ± 0.15	2.54 ± 0.15					
T4x2x1	4.00 ± 0.30	2.00 ± 0.30	1.00 ± 0.20	9.42	9.42	1.00	9.42	0.050
	4.00 ± 0.30	2.00 ± 0.30	1.00 ± 0.20					
T4x2x2	4.00 ± 0.20	2.00 ± 0.20	2.00 ± 0.20	4.71	9.42	2.00	18.85	0.099
	4.00 ± 0.20	2.00 ± 0.20	2.00 ± 0.20					
T4x2x2.54	4.00 ± 0.20	2.00 ± 0.20	2.54 ± 0.20	3.71	9.42	2.54	23.94	0.130
	4.00 ± 0.20	2.00 ± 0.20	2.54 ± 0.20					
T4x2.2x1.6	4.00 ± 0.15	2.20 ± 0.15	1.60 ± 0.15	6.76	9.74	1.44	14.02	0.069
	4.00 ± 0.15	2.20 ± 0.15	1.60 ± 0.15					
T4.3x2.1x1.75	4.30 ± 0.20	2.10 ± 0.20	1.75 ± 0.20	5.22	10.05	1.93	19.35	0.090
	4.30 ± 0.20	2.10 ± 0.20	1.75 ± 0.20					
T4.4x1.78x0.76	4.40 ± 0.20	1.78 ± 0.20	0.76 ± 0.20	9.75	9.71	1.00	9.66	0.045
	4.40 ± 0.20	1.78 ± 0.20	0.76 ± 0.20					
T4.83x2.29x1.27	4.83 ± 0.12	2.29 ± 0.15	1.27 ± 0.15	6.93	11.18	1.61	18.04	0.087
	4.83 ± 0.12	2.29 ± 0.15	1.27 ± 0.15					
T4.83x2.29x2.54	4.83 ± 0.12	2.29 ± 0.15	2.54 ± 0.12	3.47	11.18	3.23	36.08	0.190
	4.83 ± 0.12	2.29 ± 0.15	2.54 ± 0.12					
T5.05x1.78x0.85	5.05 ± 0.20	1.78 ± 0.20	0.85 ± 0.20	7.79	10.76	1.38	14.86	0.069
	5.05 ± 0.20	1.78 ± 0.20	0.85 ± 0.20					
T5.05x2.42x1	5.05 ± 0.20	2.42 ± 0.18	1.00 ± 0.18	8.92	11.73	1.32	15.43	0.072
	5.05 ± 0.20	2.42 ± 0.18	1.00 ± 0.18					



MANUFACTURING CAPABILITY

Gapped Toroid Sizes(OD)	2.50mm - 12.00mm
Height	0.70mm - 8.00mm
Gap Sizes :	0.03mm - 0.40mm
AL Tolerance	AL ± 10%

APPLICATIONS

- Power**
 - DC-DC Converters
 - Compact Power Transformer
 - Small, Low Profile Power Inductors
- Telecom**
 - xDSL pass-band Filiters
 - Spilters
 - EMI Inductors
 - Filiter Inductors with Tight Tolerance

ELECTRICAL CHARACTERISTICS

CORES	AL ± 25% (nH/N ²)						AL ± 30%(nH/N ²)			
	P4	P5	N2	S3	A041	A05	A07	A10	A102	A12
T3.94x1.68x0.76	300					600	830	1200	1200	
T3.94x2.24x1.27	350					690	980	1400		1670
T3.94x2.24x2.54	740					1475	2065	2950	2950	3350
T4x2x1	330		530			720	920	1300	1300	
T4x2x2	640	530				1400	2000	2500	2500	3200
T4x2x2.54	880					1760	2460	3520	3520	3050min
T4x2.2x1.6		370								
T4.3x2.1x1.75	600	450	950			1200	1650	2400		2850
T4.4x1.78x0.76	300	250	500			600	900	1250		1500
T4.83x2.29x1.27	470					940	1320	1890		
T4.83x2.29x2.54	950					1900	2660	3800		
T5.05x1.78x0.85	400	300	650			800	1100	1600		1900
T5.05x2.42x1		280								

Remark:

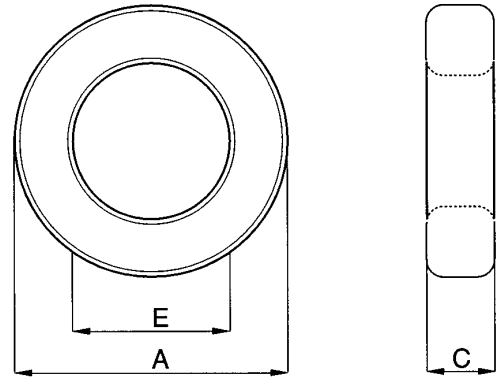
1. AL Value Testing Condition : 10kHz, 50mV, 1Ts. If testing condition is different from ACME's, please specify upon request & ordering.
2. Coating Material
 - (1) Toroid Size T8 and Below:clear parylene coating, breakdown voltage:1000Vdc, coating thickness : 0.05mm max.
 - (2) Toroid Size T9 and Above:green epoxy coating, breakdown voltage:1500Vdc, coating thickness : 0.6mm max.

Type : T Cores

Ordering Code:

Shape:

P4	T5.84*3.05*1.52	P	G□
Material	Core Size	Coating	Gapped AL Value
材質	品名	塗裝	



C : Epoxy Coating
 P : Parylene Coating
 W : Powder Coating

DIMENSIONS AND EFFECTIVE PARAMETERS

CORES	DIMENSIONS (mm)			EFFECTIVE PARAMETERS				
	COATING DIMENSIONS (mm)			C _i (mm ³)	Le(mm)	Ae(mm ²)	Ve(mm ³)	Wt(g/set)
	A	E	C					
T5.84x3.05x1.52	5.84 ± 0.15	3.05 ± 0.15	1.52 ± 0.15	6.59	13.96	2.12	29.61	0.142
	5.84 ± 0.15	3.05 ± 0.15	1.52 ± 0.15					
T5.84x3.05x3.05	5.84 ± 0.15	3.05 ± 0.15	3.05 ± 0.15	3.28	13.96	4.25	59.41	0.296
	5.84 ± 0.15	3.05 ± 0.15	3.05 ± 0.15					
T5.84x3.05x3.2	5.84 ± 0.15	3.05 ± 0.15	3.20 ± 0.15	3.13	13.96	4.46	62.34	0.310
	5.84 ± 0.15	3.05 ± 0.15	3.20 ± 0.15					
T6x3x2	6.00 ± 0.30	3.00 ± 0.30	2.00 ± 0.20	4.71	14.14	3.00	42.41	0.21
	6.00 ± 0.30	3.00 ± 0.30	2.00 ± 0.20					
T6x3x3	6.00 ± 0.30	3.00 ± 0.30	3.00 ± 0.20	3.14	14.14	4.50	63.62	0.32
	6.00 ± 0.30	3.00 ± 0.30	3.00 ± 0.20					
T6x4x2.15	6.00 ± 0.30	4.00 ± 0.30	2.15 ± 0.20	7.31	15.71	2.15	33.70	0.17
	6.00 ± 0.30	4.00 ± 0.30	2.15 ± 0.20					
T6.35x3.81x3.18	6.35 ± 0.30	3.81 ± 0.30	3.18 ± 0.20	3.95	15.96	4.04	64.45	0.30
	6.35 ± 0.30	3.81 ± 0.30	3.18 ± 0.20					
T7.62x3.18x4.8	7.62 ± 0.15	3.18 ± 0.15	4.80 ± 0.15	1.59	16.96	10.66	180.77	0.89
	7.62 ± 0.15	3.18 ± 0.15	4.80 ± 0.15					
T8x4x2	8.00 ± 0.30	4.00 ± 0.20	2.00 ± 0.20	4.71	18.85	4.00	75.40	0.37
	8.00 ± 0.30	4.00 ± 0.20	2.00 ± 0.20					
T8x4x3	8.00 ± 0.30	4.00 ± 0.20	3.00 ± 0.30	3.14	18.85	6.00	113.10	0.56
	8.00 ± 0.30	4.00 ± 0.20	3.00 ± 0.30					
T8x4x4	8.00 ± 0.30	4.00 ± 0.20	4.00 ± 0.30	2.36	18.85	8.00	150.80	0.76
	8.00 ± 0.30	4.00 ± 0.20	4.00 ± 0.30					
T8x4.5x4	8.00 ± 0.30	4.50 ± 0.20	4.00 ± 0.30	2.80	19.63	7.00	137.44	0.65
	8.00 ± 0.30	4.50 ± 0.20	4.00 ± 0.30					
T8.15x4.3x4.05	8.15 ± 0.30	4.30 ± 0.30	4.05 ± 0.30	2.51	19.56	7.80	152.47	0.75
	8.15 ± 0.30	4.30 ± 0.30	4.05 ± 0.30					



MANUFACTURING CAPABILITY

Gapped Toroid Sizes(OD)	2.50mm - 12.00mm
Height	0.70mm - 8.00mm
Gap Sizes :	0.03mm - 0.40mm
AL Tolerance	AL ± 10%

APPLICATIONS

- Power** DC-DC Converters
Compact Power Transformer
Small, Low Profile Power Inductors
- Telecom** xDSL pass-band Filiter
Spilters
EMI Inductors
Filiters Inductors with Tight Tolerance

ELECTRICAL CHARACTERISTICS

CORES	AL ± 25% (nH/N ²)						AL ± 30%(nH/N ²)				
	P4	P5	N2	S3	A041	A05	A07	A10	A102	A121	A15
T5.84x3.05x1.52	490					980	1370	1960			
T5.84x3.05x3.05	990					1980	2770	3960			
T5.84x3.05x3.2	1020					2040	2860	4080		4820	
T6x3x2	660					1450	2200	2600			
T6x3x3	1000	800	1600			2200	2800	4000	4000		6000
T6x4x2.15	430	290				870	1200	1740	1740	2080	
T6.35x3.81x3.18	790	630	1270			1590	2220	3180		3820	
T7.62x3.18x4.8	2090					4175	5845	8350	8350	9480	
T8x4x2	660	550				1330	1870	2670	2670		
T8x4x3	1000	830				2000	2800	4000	4000		
T8x4x4	1300					2650	3700	5300	5300	6400	
T8x4.5x4	1100	900	1750			2200	3100	4450	4450		
T8.15x4.3x4.05								5010			

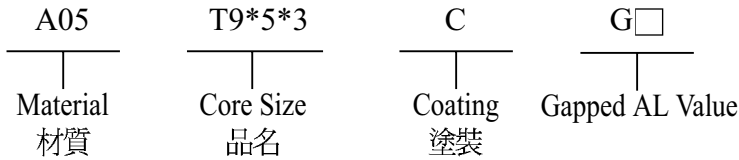
Remark:

1. AL Value Testing Condition : 10kHz, 50mV, 1Ts. If testing condition is different from ACME's, please specify upon request & ordering.
2. Coating Material
 - (1) Toroid Size T8 and Below:clear parylene coating, breakdown voltage:1000Vdc, coating thickness : 0.05mm max.
 - (2) Toroid Size T9 and Above:green epoxy coating, breakdown voltage:1500Vdc, coating thickness : 0.6mm max.

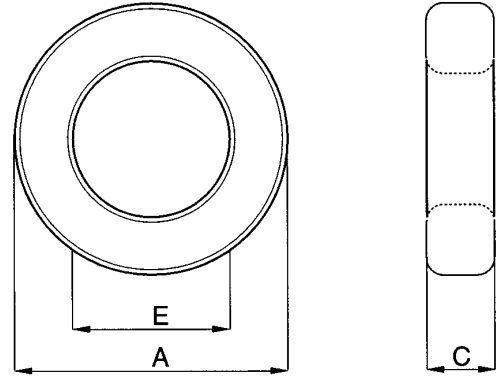
Type : T Cores

Ordering Code:

Shape:



C : Epoxy Coating
 P : Parylene Coating
 W : Powder Coating



DIMENSIONS AND EFFECTIVE PARAMETERS

CORES	DIMENSIONS (mm)			EFFECTIVE PARAMETERS				
	COATING DIMENSIONS (mm)			C _i (mm ³)	Le(mm)	Ae(mm ²)	Ve(mm ³)	Wt(g/set)
	A	E	C					
T9x5x3	9.10 ± 0.30	5.10 ± 0.30	3.00 ± 0.30	3.67	21.99	6.00	131.95	0.60
	10.0max	4.20min	3.90max					
T9x5x4	9.10 ± 0.30	5.10 ± 0.30	4.00 ± 0.30	2.75	21.99	8.00	175.93	0.82
	10.0max	4.20min	4.90max					
T9x5x5	9.10 ± 0.30	5.10 ± 0.30	5.00 ± 0.30	2.20	21.99	10.00	219.91	1.00
	10.0max	4.20min	5.90max					
T9x5x5.5	9.10 ± 0.30	5.10 ± 0.30	5.50 ± 0.30	2.00	21.99	11.00	241.90	1.09
	10.0max	4.20min	6.40max					
T9x5x7	9.10 ± 0.30	5.10 ± 0.30	7.00 ± 0.30	1.57	21.99	14.00	307.88	1.41
	10.0max	4.20min	7.90max					
T9.53x4.75x3.2	9.53 ± 0.25	4.75 ± 0.25	3.20 ± 0.125	2.93	22.43	7.65	171.55	0.80
	10.38max	3.90min	3.925max					
T9.53x4.75x4.7	9.53 ± 0.25	4.75 ± 0.125	4.70 ± 0.125	2.00	22.43	11.23	251.97	1.05
	10.38max	4.025min	5.425max					
T9.53x4.75x4.8	9.53 ± 0.25	4.75 ± 0.125	4.80 ± 0.125	1.96	22.43	11.47	257.30	1.09
	10.38max	4.025min	5.525max					
T9.53x4.75x4.9	9.53 ± 0.25	4.75 ± 0.125	4.90 ± 0.125	1.92	22.43	11.71	262.69	1.11
	10.38max	4.025min	5.625max					
T9.53x4.75x6.35	9.53 ± 0.20	4.75 ± 0.20	6.35 ± 0.18	1.49	22.43	15.06	337.74	1.62
	10.33max	3.95min	7.13max					
T9.53x5.59x3.2	9.53 ± 0.30	5.59 ± 0.25	3.20 ± 0.125	3.77	23.75	6.30	149.72	0.75
	10.43max	4.74min	3.925max					
T9.53x5.59x4.9	9.53 ± 0.30	5.59 ± 0.25	4.90 ± 0.125	2.46	23.75	9.65	229.26	1.14
	10.43max	4.74min	5.625max					



MANUFACTURING CAPABILITY

Gapped Toroid Sizes(OD)	2.50mm - 12.00mm
Height	0.70mm - 8.00mm
Gap Sizes :	0.03mm - 0.40mm
AL Tolerance	AL ± 10%

APPLICATIONS

- Power** DC-DC Converters
Compact Power Transformer
Small, Low Profile Power Inductors
- Telecom** xDSL pass-band Filiter
Spilters
EMI Inductors
Filater Inductors with Tight Tolerance

ELECTRICAL CHARACTERISTICS

CORES	AL ± 25% (nH/N ²)						AL ± 30%(nH/N ²)			
	P4	P5	N2	S3	A05	A07	A10	A102	A121	A15
T9x5x3	880	680	1350		1760	2470	3520	3520	4060	
T9x5x4	1175				2350	3290	4700	4700		
T9x5x5	1469				2938	4114	5887	5887		
T9x5x5.5	1616				3232	4525	6465	6465		
T9x5x7	2057	1600			4114	5760	8229	8229		
T9.53x4.75x3.2	1110				2230	3120	4450	4450		
T9.53x4.75x4.7	1630				3270	4580	6540	6540		
T9.53x4.75x4.8	1670				3340	4680	6680	6680	7720	9600
T9.53x4.75x4.9	1730				3460	4840	6920	6920		
T9.53x4.75x6.35	2190				4380	6140	8770	8770		
T9.53x5.59x3.2	850	670			1700	2380	3400	3400		
T9.53x5.59x4.9	1300				2610	3650	5220	5220		

Remark:

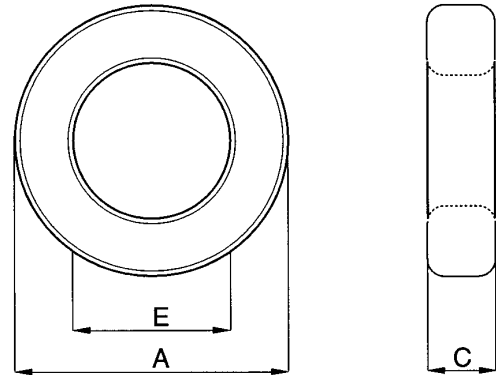
1. AL Value Testing Condition : 10kHz, 50mV, 1Ts. If testing condition is different from ACME's, please specify upon request & ordering.
2. Coating Material
 - (1) Toroid Size T8 and Below:clear parylene coating, breakdown voltage:1000Vdc, coating thickness : 0.05mm max.
 - (2) Toroid Size T9 and Above:green epoxy coating, breakdown voltage:1500Vdc, coating thickness : 0.6mm max.

Type : T Cores

Ordering Code:

Shape:

A05	T10*5*3	C	G□
Material	Core Size	Coating	Gapped AL Value
材質	品名	塗裝	



C : Epoxy Coating
 P : Parylene Coating
 W : Powder Coating

DIMENSIONS AND EFFECTIVE PARAMETERS

CORES	DIMENSIONS (mm)			EFFECTIVE PARAMETERS				
	COATING DIMENSIONS (mm)			C _i (mm ⁻¹)	Le(mm)	Ac(mm ²)	Ve(mm ³)	Wt(g/set)
	A	E	C					
T10x5x3	10.00 ± 0.20	5.00 ± 0.13	3.00 ± 0.13	3.14	23.56	7.50	176.71	0.84
	10.80max	4.27min	3.73max					
T10x5x5	10.00 ± 0.20	5.00 ± 0.13	5.00 ± 0.13	1.88	23.56	12.50	294.52	1.41
	10.80max	4.27min	5.73max					
T10x6x2.78	10.10 ± 0.30	6.10 ± 0.30	2.78 ± 0.30	4.52	25.13	5.56	139.74	0.67
	11.00max	5.20min	3.68max					
T10x6x4	10.10 ± 0.30	6.10 ± 0.30	4.00 ± 0.30	3.14	25.13	8.00	201.06	0.98
	11.00max	5.20min	4.90max					
T10x6x5	10.10 ± 0.30	6.10 ± 0.30	5.00 ± 0.30	2.51	25.13	10.00	251.33	1.25
	11.00max	5.20min	5.90max					
T10x6x6	10.10 ± 0.30	6.10 ± 0.30	6.00 ± 0.30	2.09	25.13	12.00	301.59	1.48
	11.00max	5.20min	6.90max					
T10.6x5.2x4.4	10.60 ± 0.30	5.20 ± 0.30	4.40 ± 0.20	2.09	24.82	11.88	294.84	1.41
	11.50max	4.30min	5.20max					
T12x6x4	12.00 ± 0.40	6.00 ± 0.30	4.00 ± 0.30	2.36	28.27	12.00	339.29	1.50
	13.00max	5.10min	4.90max					
T12.4x7.8x3.75	12.40 ± 0.40	7.80 ± 0.30	3.75 ± 0.30	3.51	31.57	9.00	284.13	1.34
	13.40max	6.90min	4.65max					
T12.5x7.5x5	12.50 ± 0.30	7.50 ± 0.30	5.00 ± 0.30	2.51	31.42	12.50	392.76	1.93
	13.40max	6.60min	5.90max					
T12.7x7.14x4.78	12.70 ± 0.40	7.14 ± 0.30	4.78 ± 0.30	2.35	31.16	13.29	414.13	2.00
	13.70max	6.24min	5.68max					
T12.7x7.14x6.35	12.70 ± 0.40	7.14 ± 0.30	6.35 ± 0.30	1.77	31.16	17.65	550.15	2.67
	13.70max	6.24min	7.25max					



MANUFACTURING CAPABILITY

Gapped Toroid Sizes(OD)	2.50mm - 12.00mm
Height	0.70mm - 8.00mm
Gap Sizes :	0.03mm - 0.40mm
AL Tolerance	AL ± 10%

APPLICATIONS

- Power** DC-DC Converters
Compact Power Transformer
Small, Low Profile Power Inductors
- Telecom** xDSL pass-band Filiter
Spilters
EMI Inductors
Filater Inductors with Tight Tolerance

ELECTRICAL CHARACTERISTICS

CORES	AL ± 25% (nH/N ²)						AL ± 30%(nH/N ²)			
	P4	P5	N2	S3	A05	A07	A10	A102	A121	A15
T10x5x3	1000				2000					
T10x5x5	1650	1330			3300	4650	6650	6650		10000
T10x6x2.78	680				1350	1900	2740		4900	
T10x6x4	1020	800			2040	2850	4080	4080		
T10x6x5	1270				2550	3570	5100	5100		
T10x6x6	1530				3060	4290	6130	6130		
T10.6x5.2x4.4	1500	1200			3000	4200	6000	6000		
T12x6x4	1350				2700	3800	5400	5400	6000	
T12.4x7.8x3.75					1760					
T12.5x7.5x5	1250	1000			2500	3500	5000	5000		
T12.7x7.14x4.78					2680					
T12.7x7.14x6.35					3560	5020	7120			

Remark:

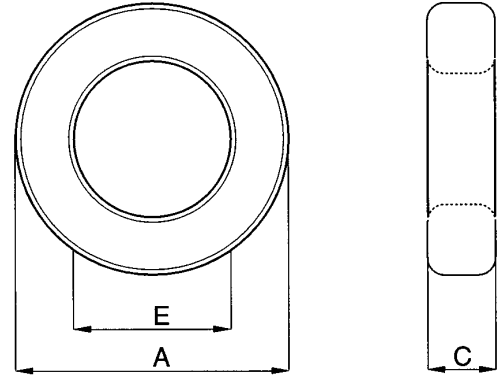
1. AL Value Testing Condition : 10kHz, 50mV, 1Ts. If testing condition is different from ACME's, please specify upon request & ordering.
2. Coating Material
 - (1) Toroid Size T8 and Below:clear parylene coating, breakdown voltage:1000Vdc, coating thickness : 0.05mm max.
 - (2) Toroid Size T9 and Above:green epoxy coating, breakdown voltage:1500Vdc, coating thickness : 0.6mm max.

Type : T Cores

Ordering Code:

Shape:

P4	T12.7*7.92*4.5	C	G□
Material 材質	Core Size 品名	Coating 塗裝	Gapped AL Value



C : Epoxy Coating
 P : Parylene Coating
 W : Powder Coating

DIMENSIONS AND EFFECTIVE PARAMETERS

CORES	DIMENSIONS (mm)			EFFECTIVE PARAMETERS				
	COATING DIMENSIONS (mm)			C _i (mm ²)	L _e (mm)	A _e (mm ²)	V _e (mm ³)	Wt(g/set)
	A	E	C					
T12.7x7.92x4.5	12.70 ± 0.40	7.92 ± 0.30	4.50 ± 0.30	3.11	32.08	10.31	330.54	1.53
	13.70max	7.02min	5.40max					
T12.7x7.92x4.7	12.70 ± 0.40	7.92 ± 0.30	4.70 ± 0.30	2.98	32.08	10.76	345.23	1.61
	13.70max	7.02min	5.60max					
T12.7x7.92x4.9	12.70 ± 0.40	7.92 ± 0.30	4.90 ± 0.30	2.86	32.08	11.22	359.92	1.70
	13.70max	7.02min	5.80max					
T12.7x7.92x5.2	12.70 ± 0.40	7.92 ± 0.30	5.20 ± 0.30	2.69	32.08	11.91	381.96	1.80
	13.70max	7.02min	6.10max					
T12.7x7.92x6.35	12.70 ± 0.40	7.92 ± 0.30	6.35 ± 0.30	2.22	32.08	14.43	462.76	2.33
	13.70max	7.02min	7.25max					
T12.7x7.92x7	12.70 ± 0.40	7.92 ± 0.30	7.00 ± 0.30	2.00	32.08	16.03	514.17	2.40
	13.70max	7.02min	7.90max					
T12.85x7.35x4	12.85 ± 0.40	7.35 ± 0.30	4.00 ± 0.30	2.88	31.73	11.00	349.03	1.70
	13.50max	6.70min	4.90max					
T12.85x7.35x5	12.85 ± 0.40	7.35 ± 0.30	5.00 ± 0.30	2.31	31.73	13.75	436.29	2.14
	13.50max	6.70min	5.90max					
T13.21x7.37x3.96	13.21 ± 0.40	7.37 ± 0.30	3.96 ± 0.30	2.80	32.33	11.56	373.80	1.81
	14.21max	6.47min	4.86max					
T13.3x8.3x5	13.30 ± 0.30	8.30 ± 0.30	5.00 ± 0.30	2.71	33.93	12.50	424.12	2.09
	14.20max	7.40min	5.90max					
T14x7x7	14.00 ± 0.40	7.00 ± 0.30	7.00 ± 0.30	1.35	32.99	24.50	808.17	3.88
	15.00max	6.10min	7.90max					
T14x7.5x7	14.00 ± 0.40	7.50 ± 0.30	7.00 ± 0.30	1.48	33.77	22.75	768.32	3.69
	15.00max	6.60min	7.90max					
T14x8x4	14.00 ± 0.40	8.00 ± 0.30	4.00 ± 0.30	2.88	34.56	12.00	414.69	1.97
	15.00max	7.10min	4.90max					
T14x8x7	14.00 ± 0.40	8.00 ± 0.30	7.00 ± 0.30	1.65	34.56	21.00	725.71	3.45
	15.00max	7.10min	7.90max					
T14x8x9	14.00 ± 0.40	8.00 ± 0.30	9.00 ± 0.30	1.28	34.56	27.00	933.05	4.48
	15.00max	7.10min	9.90max					



MANUFACTURING CAPABILITY

Gapped Toroid Sizes(OD)	12.00mm - 38.00mm
Height	3.00mm - 15.00mm
Gap Sizes :	0.45mm - 2.00mm
AL Tolerance	AL ± 10%

APPLICATIONS

- Power** DC-DC Converters
Compact Power Transformer
Small, Low Profile Power Inductors
- Telecom** xDSL pass-band Filiter
Spilters
EMI Inductors
Filater Inductors with Tight Tolerance

ELECTRICAL CHARACTERISTICS

CORES	AL ± 25% (nH/N ²)						AL ± 30%(nH/N ²)			
	P4	P5	N2	S3	A05	A07	A10	A102	A121	A15
T12.7x7.92x4.5	1050				2120	2980	4270	4270		
T12.7x7.92x4.7	1100				2220	3110	4460	4460		
T12.7x7.92x4.9	1156				2310	3240	4630	4630		
T12.7x7.92x5.2	1227		1930		2455	3437	4910	4910		
T12.7x7.92x6.35	1487		2360		2990	4190	5950	5950		
T12.7x7.92x7	1653				3300	4650	6610	6610		
T12.85x7.35x4	1110				2230	3120	4470	4470		
T12.85x7.35x5	1400				2790	3910	5580	5580		
T13.21x7.37x3.96					2250					
T13.3x8.3x5.0	1150	900			2300	3200	4600	4600		
T14x7x7							9300	9300		
T14x7.5x7							8400			
T14x8x4	1119				2240	3130	4480	4480		
T14x8x7	1956				3920	5480	7840	7840	9170	
T14x8x9	2510				5040	7045	10080	10080	11790	

Remark:

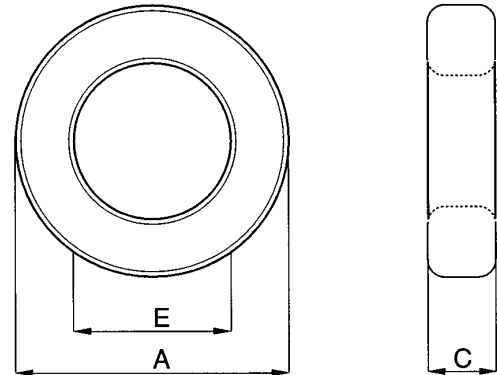
1. AL Value Testing Condition : 10kHz, 50mV, 1Ts. If testing condition is different from ACME's, please specify upon request & ordering.
2. Coating Material
 - (1) Toroid Size T8 and Below:clear parylene coating, breakdown voltage:1000Vdc, coating thickness : 0.05mm max.
 - (2) Toroid Size T9 and Above:green epoxy coating, breakdown voltage:1500Vdc, coating thickness : 0.6mm max.

Type : T Cores

Ordering Code:

Shape:

A10	T14*8.4*4	C	G□
Material	Core Size	Coating	Gapped AL Value
材質	品名	塗裝	



C : Epoxy Coating
 P : Parylene Coating
 W : Powder Coating

DIMENSIONS AND EFFECTIVE PARAMETERS

CORES	DIMENSIONS (mm)			EFFECTIVE PARAMETERS				
	COATING DIMENSIONS (mm)			C _i (mm ³)	Le(mm)	Ae(mm ²)	Ve(mm ³)	Wt(g/set)
	A	E	C					
T14x8.4x4	14.00 ± 0.40	8.40 ± 0.30	4.00 ± 0.30	3.14	35.19	11.20	394.08	1.97
	15.00max	7.50min	4.90max					
T14x8.4x12	14.00 ± 0.40	8.40 ± 0.30	12.00 ± 0.30	1.05	35.19	33.60	1182.24	5.63
	15.00max	7.50min	12.90max					
T14x9x5	14.00 ± 0.40	9.00 ± 0.30	5.00 ± 0.30	2.89	36.13	12.50	451.60	2.08
	15.00max	8.10min	5.90max					
T15.88x8.89x4.7	15.88 ± 0.40	8.89 ± 0.30	4.70 ± 0.30	2.37	38.91	16.43	639.13	3.17
	16.88max	7.99min	5.60max					
T16x9x5	16.00 ± 0.40	9.50 ± 0.40	5.00 ± 0.30	2.24	39.27	17.50	687.22	3.19
	17.00max	8.50min	5.90max					
T16x9x8	16.00 ± 0.40	9.50 ± 0.40	8.00 ± 0.30	1.40	39.27	28.00	1099.56	4.94
	17.00max	8.50min	8.90max					
T16x9.6x6.1	16.00 ± 0.30	9.60 ± 0.30	6.10 ± 0.30	2.06	40.21	19.52	784.95	3.64
	16.90max	8.70min	7.00max					
T16x12x7	16.00 ± 0.30	12.00 ± 0.30	7.00 ± 0.30	3.14	43.98	14.00	615.75	2.86
	16.90max	11.10min	7.90max					
T16x12x8	16.00 ± 0.30	12.00 ± 0.30	8.00 ± 0.30	2.75	43.98	16.00	704.00	3.53
	16.90max	11.10min	8.90max					
T18x10x7	18.00 ± 0.30	10.00 ± 0.30	7.00 ± 0.30	1.57	43.98	28.00	1231.00	6.13
	18.90max	9.10min	7.90max					
T18x10x8	18.00 ± 0.30	10.00 ± 0.30	8.00 ± 0.30	1.37	43.98	32.00	1407.00	6.91
	18.90max	9.10min	8.90max					
T18x10x10	18.00 ± 0.30	10.00 ± 0.30	10.00 ± 0.30	1.10	43.98	40.00	1759.00	8.77
	18.90max	9.10min	10.90max					
T18x12x6	18.00 ± 0.30	11.90 ± 0.20	6.00 ± 0.20	2.62	47.12	18.00	848.22	4.16
	18.90max	11.10min	6.80max					



MANUFACTURING CAPABILITY

Gapped Toroid Sizes(OD)	12.00mm - 38.00mm
Height	3.00mm - 15.00mm
Gap Sizes :	0.45mm - 2.00mm
AL Tolerance	AL ± 10%

APPLICATIONS

- Power** DC-DC Converters
Compact Power Transformer
Small, Low Profile Power Inductors
- Telecom** xDSL pass-band Filiters
Spilters
EMI Inductors
Filiters Inductors with Tight Tolerance

ELECTRICAL CHARACTERISTICS

CORES	AL ± 25% (nH/N ²)						AL ± 30%(nH/N ²)			
	P4	P5	N2	S3	A05	A07	A10	A102	A121	A15
T14x8.4x4	1020	800			2040	2860	4080	4080		
T14x8.4x12	3060				6130	8580	12260	12260		
T14x9x5	1100				2210	3090	4420	4420	5220	
T15.88x8.89x4.7					2650	3710	5300			
T16x9x5	1300	1020	2040		2600	3650	5210	5210	6250	
T16x9x8	2040	1630	3265		4080	5710	8160	8160	9700	12240
T16x9.6x6.1	1520	1220			3050	4270	6100	6100		
T16x12x7	1000				2000	2800	4020	4020		6000
T16x12x8	1150				2300	3220	4600	4600	5400	
T18x10x7	2054				4110	5760	8230	8230	9600	
T18x10x8	2350				4700	6580	9400	9400		
T18x10x10	2940				5880	8230	11750	11750	13720	
T18x12x6	1210				2430	3400	4860	4860		

Remark:

1. AL Value Testing Condition : 10kHz, 50mV, 1Ts. If testing condition is different from ACME's, please specify upon request & ordering.
2. Coating Material
 - (1) Toroid Size T8 and Below:clear parylene coating, breakdown voltage:1000Vdc, coating thickness : 0.05mm max.
 - (2) Toroid Size T9 and Above:green epoxy coating, breakdown voltage:1500Vdc, coating thickness : 0.6mm max.

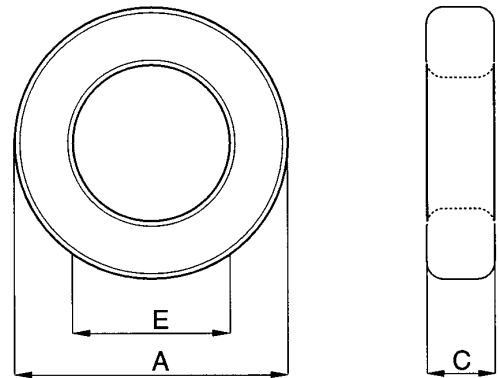
Type : T Cores

Ordering Code:

Shape:

A10	T19*13*6	C	G□
Material	Core Size	Coating	Gapped AL Value
材質	品名	塗裝	

C : Epoxy Coating
 P : Parylene Coating
 W : Powder Coating



DIMENSIONS AND EFFECTIVE PARAMETERS

CORES	DIMENSIONS (mm)			EFFECTIVE PARAMETERS				
	COATING DIMENSIONS (mm)			C _i (mm ³)	Le(mm)	Ae(mm ²)	Ve(mm ³)	Wt(g/set)
	A	E	C					
T19x13x6	19.00 ± 0.30	13.00 ± 0.30	6.00 ± 0.20	2.79	50.27	18.00	904.78	6.13
	19.90max	12.10min	6.80max					
T19.3x10.2x10.4	19.30 ± 0.40	10.20 ± 0.30	10.40 ± 0.30	0.97	45.55	46.80	2131.88	10.55
	20.30max	11.30min	11.30max					
T20x10x7	20.00 ± 0.40	10.00 ± 0.40	7.00 ± 0.30	1.35	47.12	35.00	1649.34	8.05
	21.00max	9.00min	7.90max					
T20x10x10	20.00 ± 0.40	10.00 ± 0.40	10.00 ± 0.30	0.94	47.12	50.00	2356.19	11.24
	21.00max	9.00min	10.90max					
T20x10x12	20.00 ± 0.40	10.00 ± 0.40	12.00 ± 0.30	0.79	47.12	60.00	2827.43	13.53
	21.00max	9.00min	12.90max					
T20x11x10	20.00 ± 0.40	11.00 ± 0.40	10.00 ± 0.30	1.08	48.69	45.00	2191.26	10.29
	21.00max	10.00min	10.90max					
T20x11x15	20.00 ± 0.40	11.00 ± 0.40	15.00 ± 0.30	0.72	48.69	67.50	3286.89	15.23
	21.00max	10.00min	15.90max					
T22x14x6.5	22.00 ± 0.40	14.00 ± 0.40	6.50 ± 0.30	2.17	56.55	26.00	1470.27	6.77
	23.00max	13.00min	7.40max					
T22x14x8	22.00 ± 0.40	14.00 ± 0.40	8.00 ± 0.30	1.77	56.55	32.00	1809.56	8.61
	23.00max	13.00min	8.90max					
T22x14x9	22.00 ± 0.40	14.00 ± 0.40	9.00 ± 0.30	1.57	56.55	36.00	2035.75	9.77
	23.00max	13.00min	9.90max					
T22x14x10	22.00 ± 0.40	14.00 ± 0.40	10.00 ± 0.30	1.41	56.55	40.00	2261.95	11.33
	23.00max	13.00min	10.90max					
T22x14x12.7	22.00 ± 0.40	14.00 ± 0.40	12.70 ± 0.30	1.11	56.55	50.80	2872.67	14.04
	23.00max	13.00min	13.60max					
T22.1x13.72x6.35	22.10 ± 0.40	13.72 ± 0.40	6.35 ± 0.30	2.11	56.27	26.61	1497.04	7.04
	23.10max	12.72min	7.25max					



MANUFACTURING CAPABILITY

Gapped Toroid Sizes(OD)	12.00mm - 38.00mm
Height	3.00mm - 15.00mm
Gap Sizes :	0.45mm - 2.00mm
AL Tolerance	AL ± 10%

APPLICATIONS

- Power** DC-DC Converters
Compact Power Transformer
Small, Low Profile Power Inductors
- Telecom** xDSL pass-band Filiters
Spilters
EMI Inductors
Filiters Inductors with Tight Tolerance

ELECTRICAL CHARACTERISTICS

CORES	AL ± 25% (nH/N ²)						AL ± 30%(nH/N ²)		
	P4	P5	N2	S3	A05	A07	A10	A102	A121
T19x13x6	1100	900			2200	3100	4500	4500	
T19.3x10.2x10.4					6420				
T20x10x7					4670		9300		
T20x10x10	3330	2660	5330		6670	9300	13300	13300	16000
T20x10x12							16000	16000	19000
T20x11x10	3200	2300			5800	8100	11600	11600	
T20x11x15	4790	3450			8700	12200	17400	17400	
T22x14x6.5	1473				2940	4110	5870	5870	
T22x14x8	1804	1420			3620	5060	7230	7230	8340
T22x14x9	2034				4070	5695	8135	8135	
T22x14x10	2259				4520	6330	9040	9040	10670
T22x14x12.7	2886				5740	8040	11480	11480	
T22.1x13.72x6.35					2970				

Remark:

1. AL Value Testing Condition : 10kHz, 50mV, 1Ts. If testing condition is different from ACME's, please specify upon request & ordering.
2. Coating Material
 - (1) Toroid Size T8 and Below:clear parylene coating, breakdown voltage:1000Vdc, coating thickness : 0.05mm max.
 - (2) Toroid Size T9 and Above:green epoxy coating, breakdown voltage:1500Vdc, coating thickness : 0.6mm max.

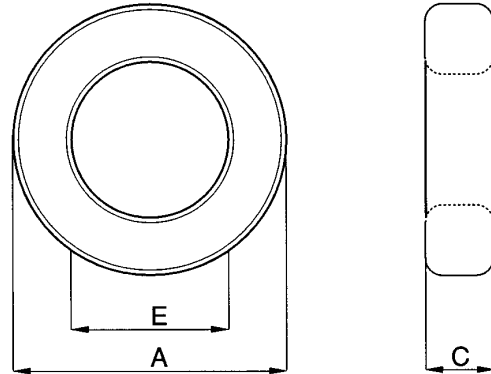
Type : T Cores

Ordering Code:

Shape:

P5	T23*14*7	C	G□
Material	Core Size	Coating	Gapped AL Value
材質	品名	塗裝	

C : Epoxy Coating
P : Parylene Coating
W : Powder Coating



DIMENSIONS AND EFFECTIVE PARAMETERS

CORES	DIMENSIONS (mm)			EFFECTIVE PARAMETERS				
	COATING DIMENSIONS (mm)			C _i (mm ³)	Le(mm)	Ae(mm ²)	Ve(mm ³)	Wt(g/set)
	A	E	C					
T23x14x7	23.00 ± 0.40	14.00 ± 0.40	7.00 ± 0.30	1.85	58.11	31.50	1830.76	8.53
	24.00max	13.00min	7.90max					
T25x15x5	25.00 ± 0.40	15.00 ± 0.40	5.00 ± 0.30	2.51	62.83	25.00	1570.80	7.44
	26.00max	14.00min	5.90max					
T25x15x8	25.00 ± 0.40	15.00 ± 0.40	8.00 ± 0.30	1.57	62.83	40.00	2513.27	12.06
	26.00max	14.00min	8.90max					
T25x15x9	25.00 ± 0.40	15.00 ± 0.40	9.00 ± 0.30	1.40	62.83	45.00	2827.43	13.63
	26.00max	14.00min	9.90max					
T25x15x10	25.00 ± 0.40	15.00 ± 0.40	10.00 ± 0.30	1.26	62.83	50.00	3141.59	14.89
	26.00max	14.20min	11.10max					
T25x15x12	25.00 ± 0.40	15.00 ± 0.40	12.00 ± 0.30	1.05	62.83	60.00	3769.91	17.95
	26.00max	14.00min	12.90max					
T25x15x13	25.00 ± 0.40	15.00 ± 0.40	13.00 ± 0.30	0.97	62.83	65.00	4084.07	19.43
	26.00max	14.00min	13.90max					
T25x15x15	25.00 ± 0.40	15.00 ± 0.40	15.00 ± 0.30	0.84	62.83	75.00	4172.39	23.30
	26.00max	14.00min	15.90max					
T25.4x15.5x10	25.40 ± 0.40	15.50 ± 0.40	10.00 ± 0.30	1.30	64.25	49.50	3180.16	15.71
	26.40max	14.50min	10.90max					
T29x19x7.49	29.00 ± 0.50	19.00 ± 0.35	7.49 ± 0.15	2.01	75.40	37.45	2823.66	12.90
	30.10max	18.05min	8.24max					
T29x19x15.2	29.00 ± 0.50	19.00 ± 0.35	15.20 ± 0.30	0.99	75.40	76.00	5730.27	27.73
	30.10max	18.05min	16.00max					
T31x19x6	31.00 ± 0.50	19.00 ± 0.50	6.00 ± 0.30	2.18	78.54	36.00	2827.43	13.22
	32.10max	17.90min	6.90max					
T31x19x6.5	31.00 ± 0.50	19.00 ± 0.50	6.50 ± 0.30	2.01	78.54	39.00	3063.05	14.73
	32.10max	17.90min	7.40max					
T31x19x7	31.00 ± 0.50	19.00 ± 0.50	7.00 ± 0.30	1.87	78.54	42.00	3298.67	15.41
	32.10max	17.90min	7.90max					



MANUFACTURING CAPABILITY

Gapped Toroid Sizes(OD)	12.00mm - 38.00mm
Height	3.00mm - 15.00mm
Gap Sizes :	0.45mm - 2.00mm
AL Tolerance	AL ± 10%

APPLICATIONS

- Power** DC-DC Converters
Compact Power Transformer
Small, Low Profile Power Inductors
- Telecom** xDSL pass-band Filiters
Spilters
EMI Inductors
Filiters Inductors with Tight Tolerance

ELECTRICAL CHARACTERISTICS

CORES	AL ± 25% (nH/N ²)						AL ± 30%(nH/N ²)		
	P4	P5	N2	S3	A05	A07	A10	A102	A121
T23x14x7	1730	1250			3470	4860	6950	6950	
T25x15x5	1250	1000	2000		2500	3500	5000	5000	6000
T25x15x8	2040	1600			4090	5720	8200	8200	9600
T25x15x9	2300				4600	6440	9200	9200	
T25x15x10	2550				5110	7150	10220	10220	11000
T25x15x12	3064				6130	8580	12260	12260	14400
T25x15x13	3322				6640	9300	13270	13270	15600
T25x15x15	3830				7660	10730	15330	15330	17500
T25.4x15.5x10					4840		9680		
T29x19x7.49	1580				3170	4430	6340	6340	
T29x19x15.2	3220	2500			6440	9020	12890	12890	15200
T31x19x6	1465				2940	4110	5880	5880	
T31x19x6.5	1590				3180	4460	6350	6350	
T31x19x7	1713				3426	4797	6853	6853	

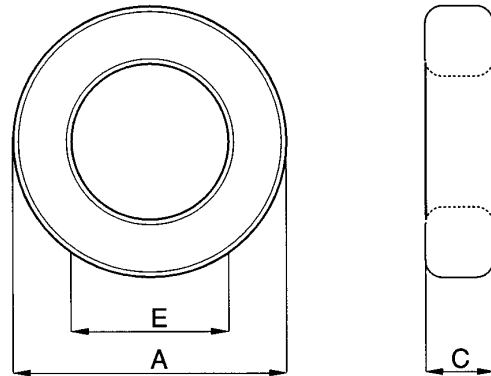
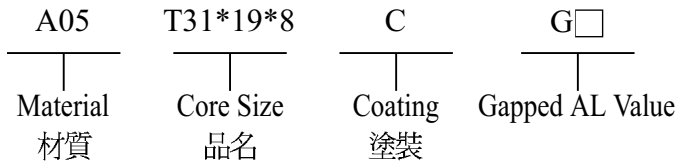
Remark:

1. AL Value Testing Condition : 10kHz, 50mV, 1Ts. If testing condition is different from ACME's, please specify upon request & ordering.
2. Coating Material
 - (1) Toroid Size T8 and Below:clear parylene coating, breakdown voltage:1000Vdc, coating thickness : 0.05mm max.
 - (2) Toroid Size T9 and Above:green epoxy coating, breakdown voltage:1500Vdc, coating thickness : 0.6mm max.

Type : T Cores

Ordering Code:

Shape:



C : Epoxy Coating
 P : Parylene Coating
 W : Powder Coating

DIMENSIONS AND EFFECTIVE PARAMETERS

CORES	DIMENSIONS (mm)			EFFECTIVE PARAMETERS				
	COATING DIMENSIONS (mm)			C _i (mm ³)	Le(mm)	Ae(mm ²)	Ve(mm ³)	Wt(g/set)
	A	E	C					
T31x19x8	31.00 ± 0.50	19.00 ± 0.50	8.00 ± 0.30	1.64	78.54	48.00	3769.91	18.12
	32.10max	17.90min	8.90max					
T31x19x9	31.00 ± 0.50	19.00 ± 0.50	9.00 ± 0.30	1.45	78.54	54.00	4241.15	19.84
	32.10max	17.90min	9.90max					
T31x19x12	31.00 ± 0.50	19.00 ± 0.50	12.00 ± 0.40	1.09	78.54	72.00	5654.87	26.99
	32.10max	17.90min	13.00max					
T31x19x13	31.00 ± 0.50	19.00 ± 0.50	13.00 ± 0.40	1.01	78.54	78.00	6126.11	29.04
	32.10max	17.90min	14.00max					
T31x19x16	31.00 ± 0.50	19.00 ± 0.50	16.00 ± 0.40	0.82	78.54	96.00	7539.82	35.74
	32.10max	17.90min	17.00max					
T36x23x10	36.00 ± 0.60	23.45 ± 0.50	10.00 ± 0.40	1.43	92.68	65.00	6024.00	26.94
	37.20max	22.35min	11.00max					
T36x23x15	36.00 ± 0.60	23.45 ± 0.50	15.00 ± 0.40	0.95	92.68	97.50	9036.01	41.37
	37.20max	22.35min	16.00max					
T37x22x10	37.00 ± 0.60	22.00 ± 0.50	10.00 ± 0.40	1.24	92.68	75.00	6950.77	33.96
	38.20max	20.90min	11.00max					
T37x22x13	37.00 ± 0.60	22.00 ± 0.50	13.00 ± 0.40	0.95	92.68	97.50	9036.01	44.64
	38.20max	20.90min	14.20max					
T37x22x14	37.00 ± 0.60	22.00 ± 0.50	14.00 ± 0.40	0.88	92.68	105.00	9731.08	48.07
	38.20max	20.90min	15.00max					
T37x22x15	37.00 ± 0.60	22.00 ± 0.50	15.00 ± 0.40	0.82	92.68	112.00	10426.16	50.51
	38.20max	20.90min	16.00max					
T38x19x13	38.10 ± 0.60	19.05 ± 0.60	12.70 ± 0.30	0.72	89.54	123.50	11057.62	53.19
	39.30max	17.85min	13.60max					
T38x19x17	38.10 ± 0.60	19.05 ± 0.60	17.00 ± 0.30	0.55	89.54	161.50	14459.97	62.00
	39.30max	17.85min	17.90max					



MANUFACTURING CAPABILITY

Gapped Toroid Sizes(OD)	12.00mm - 38.00mm
Height	3.00mm - 15.00mm
Gap Sizes :	0.45mm - 2.00mm
AL Tolerance	AL ± 10%

APPLICATIONS

- Power** DC-DC Converters
Compact Power Transformer
Small, Low Profile Power Inductors
- Telecom** xDSL pass-band Filiteres
Spilters
EMI Inductors
Filitere Inductors with Tight Tolerance

ELECTRICAL CHARACTERISTICS

CORES	AL ± 25% (nH/N ²)						AL ± 30%(nH/N ²)		
	P4	P5	N2	S3	A05	A07	A10	A102	A121
T31x19x8	1965	1560			3920	5480	7830	7830	
T31x19x9	2197				4400	6170	8810	8810	
T31x19x12	2930				5870	8220	11740	11740	
T31x19x13	3180	2500			6360	8910	12730	12730	14500
T31x19x16						10760	15200	15200	
T36x23x10	2140				4285	6000	8570	8570	
T36x23x15	3210				6430	9000	12860	12860	14500
T37x22x10	2600				5200	7280	10350	10350	
T37x22x13	3380				6750	9460	13450	13450	
T37x22x14	3630				7270	10180	14550	14550	
T37x22x15	3900				7790	10900	15500	15500	13000min
T38x19x13	4200	3350			8400	11800	16800	16800	
T38x19x17	5670								

Remark:

1. AL Value Testing Condition : 10kHz, 50mV, 1Ts. If testing condition is different from ACME's, please specify upon request & ordering.
2. Coating Material
 - (1) Toroid Size T8 and Below:clear parylene coating, breakdown voltage:1000Vdc, coating thickness : 0.05mm max.
 - (2) Toroid Size T9 and Above:green epoxy coating, breakdown voltage:1500Vdc, coating thickness : 0.6mm max.