

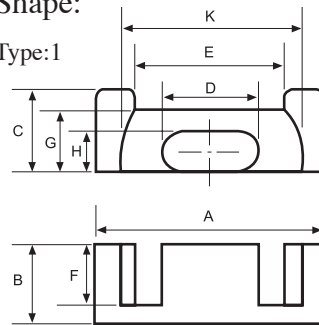
Type : EPC Cores

Ordering Code:

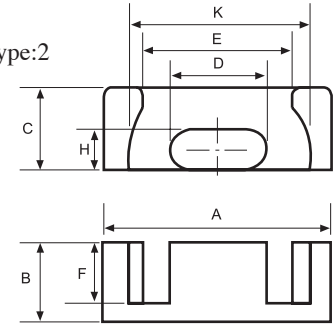
P4	EPC19	G□
Material 材質	Core Size 品名	Gapped AL Value

Shape:

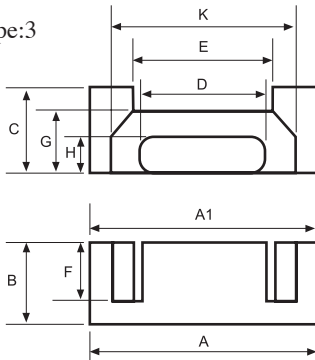
Type:1



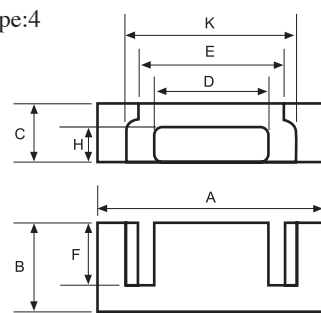
Type:2



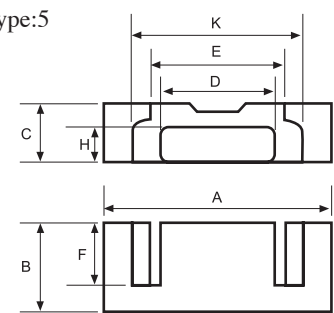
Type:3



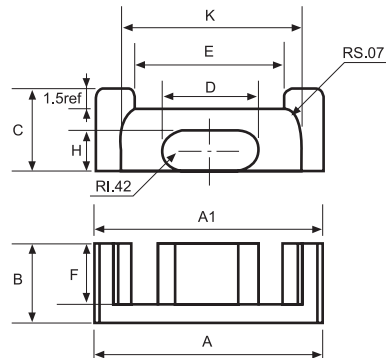
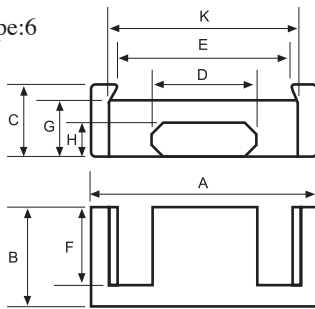
Type:4



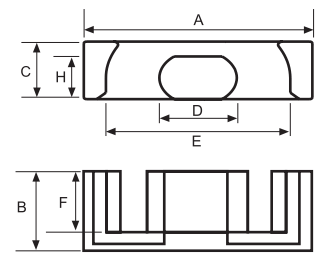
Type:5



Type:6



Type:8



■ DIMENSIONS

CORES	DIMENSIONS (mm)									Type
	A	B	C	D	E	F	G	H	K	
EPC10	10.20 ± 0.30	4.05 ± 0.15	3.40 ± 0.15	5.00 ± 0.10	5.30min	2.55min	-	1.90 ± 0.10	7.60min	2
EPC10A	10.20 ± 0.30	4.05 ± 0.15	3.40 ± 0.15	5.00 ± 0.10	5.70min	2.55min	-	1.90 ± 0.10	7.90min	8
EPC12.6	12.40 ^{+0.40} / _{-0.00}	5.75 ^{+0.13} / _{-0.00}	3.60 ^{+0.00} / _{-0.25}	6.20 ^{+0.00} / _{-0.30}	7.32 ^{+0.30} / _{-0.00}	3.25 ^{+0.20} / _{-0.00}	-	2.30 ^{+0.00} / _{-0.18}	8.80 ^{+0.30} / _{-0.00}	2
EPC13A	13.50 ± 0.25	6.60 ± 0.20	4.60 ± 0.15	5.60 ± 0.15	8.50min	4.50 ± 0.20	-	2.05 ± 0.10	11.00 ± 0.20	1
EPC13D	13.20 ± 0.25	6.60 ± 0.20	4.60 ± 0.15	5.60 ± 0.15	8.70min	4.50 ± 0.20	-	2.05 ± 0.10	11.00min	1
EPC13F	13.10 ± 0.20	6.60 ± 0.20	4.40 ^{+0.10} / _{-0.15}	5.55 ± 0.15	8.30min	4.50 ± 0.20	3.65 ± 0.15	2.15 ^{+0.10} / _{-0.15}	10.60min	1
EPC14.5	14.50 ± 0.30	7.40 ± 0.20	6.00 ± 0.15	7.00 ± 0.15	10.10 ± 0.25	5.50 ± 0.15	-	3.20 ± 0.10	12.30 ± 0.30	2
EPC17A	17.60 ± 0.38	8.55 ± 0.20	6.00 ± 0.15	7.70 ± 0.15	11.50min	6.05 ± 0.20	-	2.75 ± 0.10	14.40min	1
EPC17B	17.60 ± 0.30	8.55 ± 0.20	6.05 ± 0.15	7.60 ± 0.20	12.00min	6.25 ± 0.20	-	2.85 ± 0.15	14.50min	7
EPC17D/6/8.6	17.60 ± 0.30	8.60 ± 0.15	6.00 ± 0.15	7.70 ± 0.20	12.00min	6.10 ± 0.20	-	2.85 ± 0.15	14.60min	1
EPC18	18.40 ± 0.30	13.20 ± 0.15	4.10 ± 0.15	9.10 ± 0.15	10.70min	10.30 ± 0.15	-	2.65 ± 0.10	13.10min	1
EPC19/20	19.10 ± 0.40	10.00 ± 0.20	6.00 ± 0.15	8.50 ± 0.15	13.10min	7.50 ^{+0.20} / _{-0.10}	-	2.50 ± 0.10	15.80min	1
EPC19A	19.60 ± 0.50	9.75 ± 0.20	6.00 ± 0.20	8.20 ± 0.20	13.60 ± 0.50	7.25 ± 0.20	-	2.40 ± 0.15	16.40 ± 0.50	1
EPC19B	19.60 ± 0.50	9.75 ± 0.20	6.00 ± 0.20	8.20 ± 0.20	13.40 ± 0.50	7.25 ± 0.20	-	2.40 ± 0.15	16.40 ± 0.50	1
EPC19.5	19.50 ± 0.40	10.90 ± 0.20	6.00 ± 0.15	8.50 ± 0.15	13.40min	8.40 ± 0.15	4.60 ± 0.15	2.45 ± 0.15	16.20min	3
EPC19.6	19.60 ± 0.40	12.34 ± 0.25	4.12 ± 0.10	10.02 ± 0.15	14.50 ± 0.35	9.25 ± 0.20	-	2.03 ± 0.10	15.75 ± 0.35	4
EPC20	20.00 ± 0.40	12.34 ± 0.25	4.12 ± 0.15	10.02 ± 0.15	14.90 ± 0.35	9.25 ± 0.20	-	2.03 ± 0.15	16.15 ± 0.35	4
EPC21.9	21.90 ± 0.30	14.50 ± 0.20	7.30 ± 0.15	9.50 ± 0.15	14.70min	11.55 ± 0.15	-	4.20 ± 0.15	16.40min	5
EPC24.8	24.80 ± 0.40	12.80 ± 0.15	8.90 ± 0.15	8.40 ± 0.20	20.10 ± 0.30	9.60 ± 0.15	-	6.60 ± 0.15	-	8
EPC25	25.40 ± 0.50	12.50 ± 0.25	8.00 ± 0.25	10.50 ± 0.25	18.35 ± 0.40	9.00 ± 0.20	6.20ref	4.00 ± 0.20	21.05 ± 0.40	6



■ EFFECTIVE PARAMETERS

CORES	EFFECTIVE PARAMETERS				
	C ₁ (mm ⁻¹)	Le(mm)	Ae(mm ²)	Ve(mm ³)	Wt(g/set)
EPC10	2.03	19.28	8.36	161.23	0.92
EPC10A	2.18	18.73	8.61	161.27	0.88
EPC12.6	1.56	22.51	14.42	324.59	1.44
EPC13A	2.55	31.08	12.18	378.55	2.12
EPC13D	2.38	29.29	12.33	361.10	2.00
EPC13F	2.28	28.92	12.68	366.80	1.80
EPC14.5	1.97	24.38	12.39	301.97	1.73
EPC17A	1.76	38.87	22.07	857.90	4.72
EPC17B	1.85	40.00	21.60	864.00	4.72
EPC17D/6/8.6	1.79	30.68	17.16	526.47	4.60
EPC18	2.49	55.11	22.09	1217.38	6.36
EPC19/20	2.07	47.12	22.72	1070.56	5.36
EPC19A	1.88	43.30	23.00	995.90	5.38
EPC19B	2.26	49.38	21.89	1080.93	5.30
EPC19.5	1.94	41.99	21.64	908.69	5.90
EPC19.6	2.95	52.33	17.70	926.24	5.42
EPC20	2.89	53.24	18.40	979.62	5.52
EPC21.9	1.71	63.15	36.90	2330.24	12.84
EPC24.8	1.22	60.34	49.24	2970.86	15.50
EPC25	1.39	58.64	42.31	2481.06	12.16

■ ELECTRICAL CHARACTERISTICS

CORES	AL ± 25% (nH/N ²)										AL ± 30% (nH/N ²)		
	P4	P41	P45	P451	P452	P47	P48	P61	A05	A07	A10(L)	A121(L)	A151(L)
EPC10	820	800				900				1180			
EPC10A	950	840				970				1400			
EPC12.6	1000												
EPC13A	910	890	950			900	910				3240		3500min
EPC13D	800	770	920			900	800						
EPC13F	820												
EPC14.5	1200												
EPC17A	1150	1120	1350			1360							
EPC17B	1150	1100				1300							
EPC17D/6/8.6	1150	1090											
EPC18	1000												
EPC19/20	930												
EPC19A	1100	1060				1300							
EPC19B	1100												
EPC19.5	1040												
EPC19.6	860												
EPC20	820												
EPC21.9	1390												
EPC24.8						2000							
EPC25	1550	1500				1840							

Remark:

1. AL Value Testing Condition : 10kHz, 50mV, 10Ts. If testing condition is different from ACME's, please specify upon request & ordering.
2. Gapped core is available, please specify upon request & ordering. ACME's standard gapped core set is a combination of one gapped core and one ungapped core. If gapping on both pcs to make a set is needed, please specify upon request & ordering.
3. L : Mirror Finished Lapping. Please specify upon request & ordering by adding "L" at the end of Core Size if you need.
4. Customized dimensions are available.